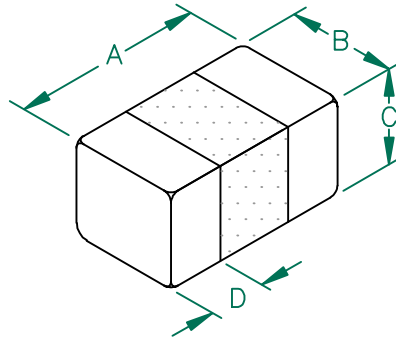


LI0402E300R-10

UNCONTROLLED DOCUMENT

PHYSICAL DIMENSIONS:

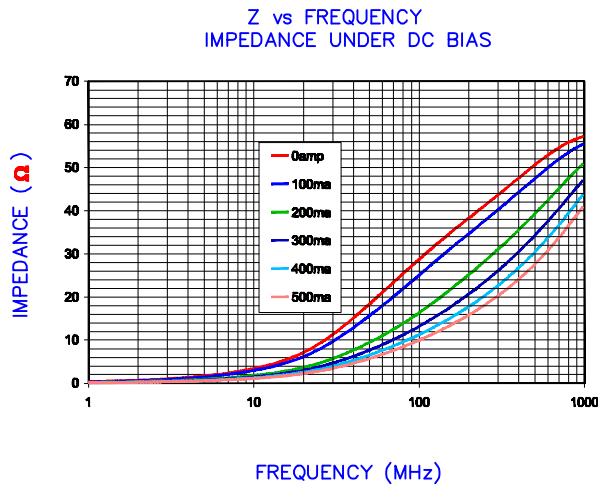
A	1.01 [.040]	+ .18 [.007]
B	0.50 [.020]	+ .20 [.008]
C	0.50 [.020]	+ .20 [.008]
D	0.30 [.012]	+ MAX.



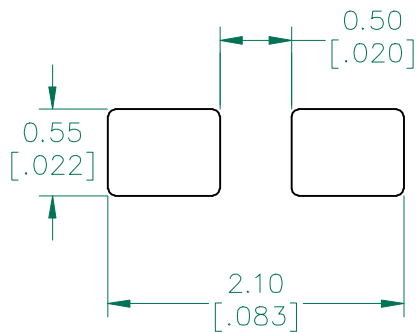
ELECTRICAL CHARACTERISTICS:			
Z @ 100MHz (Ω)	DCR (Ω)	Rated Current	
Nominal	30		
Minimum	23		
Maximum	38	0.30	500 mA

NOTES: UNLESS OTHERWISE SPECIFIED

1. TAPED AND REELED per CURRENT EIA SPECIFICATIONS 7" REELS, 10,000 PCS/REEL, PAPER TAPE.
2. TERMINATION FINISH IS 100% TIN.
3. COMPONENTS SHOULD BE ADEQUATELY PREHEATED BEFORE SOLDERING.

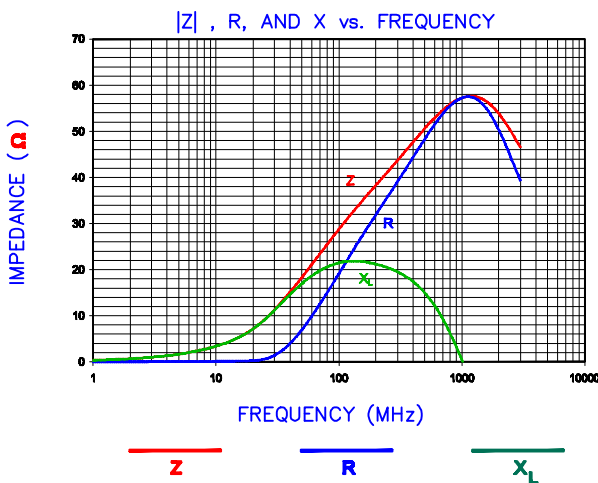
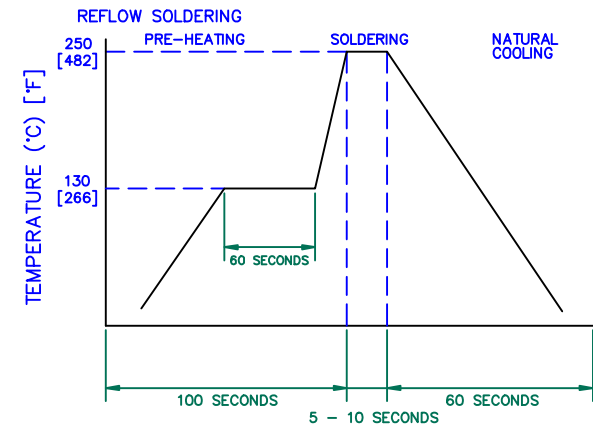


LAND PATTERNS FOR REFLOW SOLDERING



(For wave soldering, add 0.762 [.030] to this dimension.)

RECOMMENDED SOLDERING CONDITIONS



AGILENT E4991A RF Impedance/Material Analyzer
HP 16194A Test Fixture. TEST REF. 3298



DIMENSIONS ARE IN mm [INCHES].				This print is the property of Laird Tech. and is loaned in confidence subject to return upon request and with the understanding that no copies shall be made without the written consent of Laird Tech. All rights to design or invention are reserved.			
D	UPDATE COMPANY LOGO	07/09/08	JRK	PROJECT/PART NUMBER: LI0402E300R-10		REV	D
C	CHANGE REEL QTY FROM 4000, ADD PAPER TAPE TO NOTE #1 UPDATE LOGO	11/14/07	JRK	DATE:	04/05/04	SCALE:	NTS
B	CORRECT REF # FROM 3289 TO 3298	07/22/05	JRK	CAD #	LI0402E300R-10-D	SHEET:	2 of 2
A	ORIGINAL DRAFT	04/05/04	TMB	TOOL #	-		
REV	DESCRIPTION	DATE	INT				

